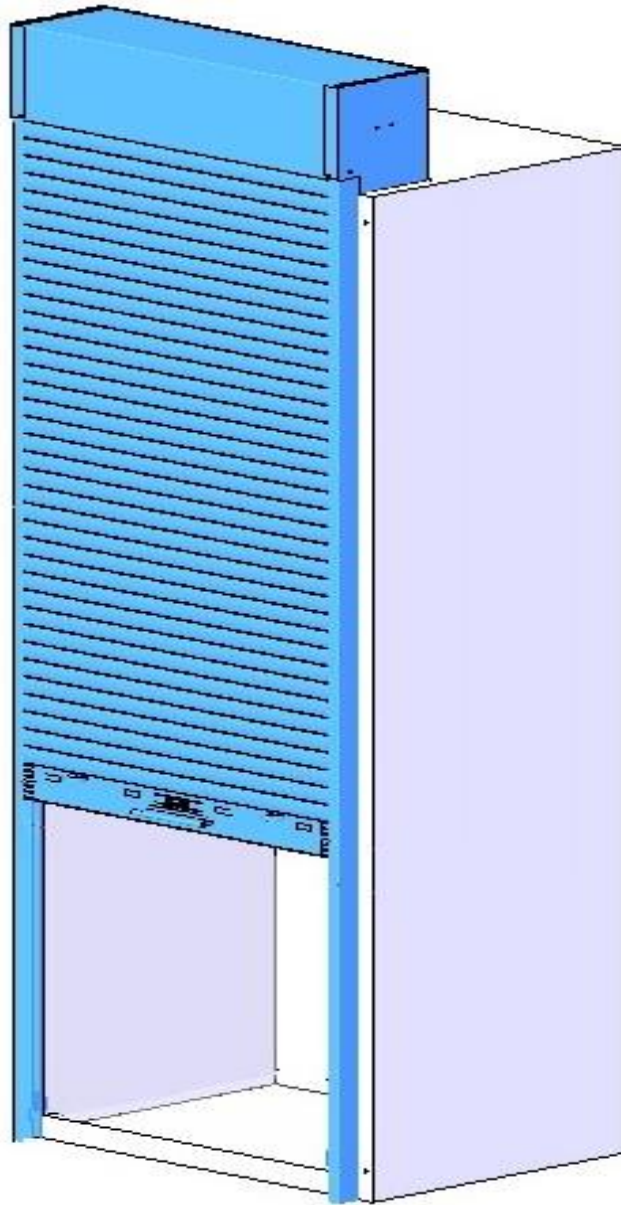


## Tambour Door for Storage Wall® Instructions

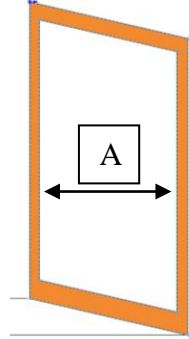


This document can be used in place of pages 2-8 & 2-9 from:  
“Storage Wall® Instructions for Assembly” *MD003A3*

## Important Requirements for Lista Door Assembly

In order for the tambour door to function safely & properly the following conditions must apply:

- Storage Wall unit must be level with-in  $\frac{1}{4}$ "
- Storage Wall shelving must be plumb with-in  $\frac{3}{16}$ "
- Storage Wall shelving post to post opening must be as follows;



Type (Unit)	Max Width	A
SC/ST (36U)	26.3"	(668mm)
HS/HW (54U)	38.35"	(974mm)
MW/MS (64U)	45.0"	(1144mm)
DW/HT (78U)	54.4"	(1382mm)

---

### Track Prep:

- A. Lock Plates (page 3)
- B. Optional Stop Plates (page 3)

### Tambour Door Installation Types:

1. Bolt-on Door Tracks, New Components (pages 4 - 7)
2. Welded Door Tracks, New Components (page 7)
3. Retrofitting Existing Tracks (page 8)
4. Door Assembly Installation (pages 9 - 10)
5. Door Options, Accessories & Care (pages 11 - 12)

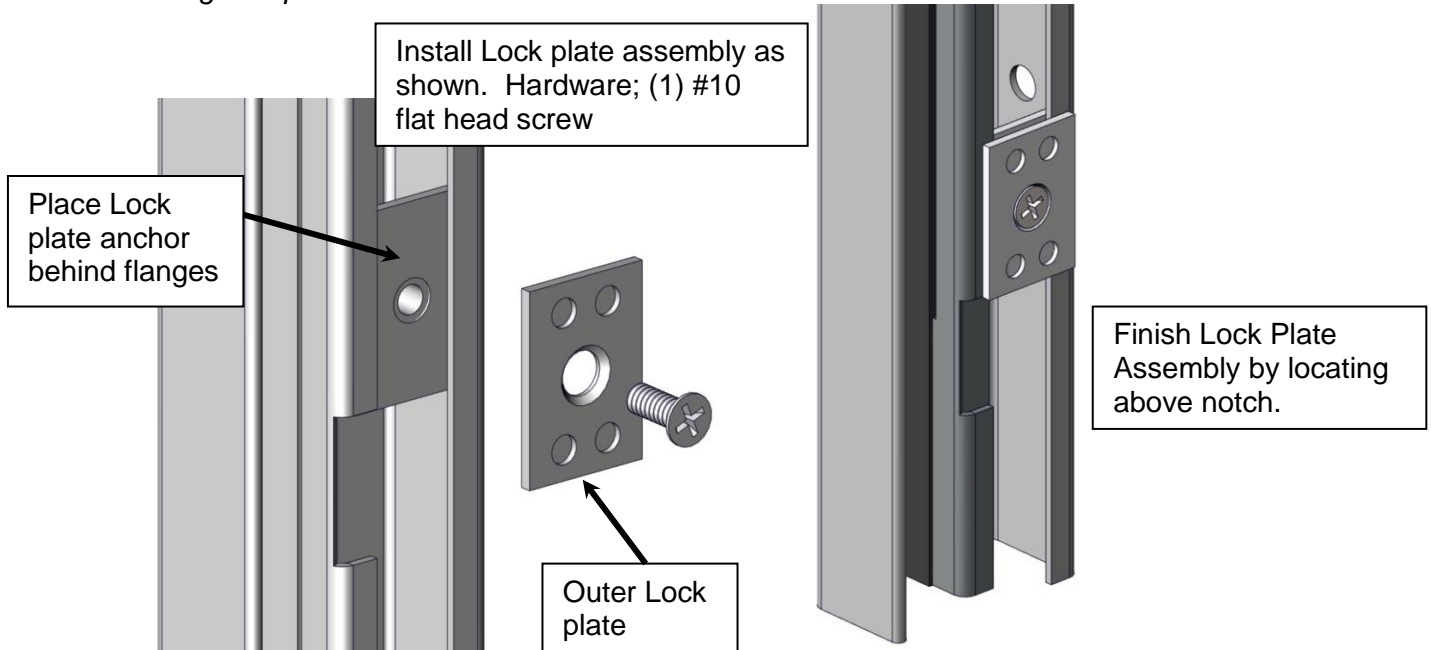
***-Remove all packing materials & read through all steps before proceeding-***

Tools Required:  $\frac{7}{16}$ " wrench, #2 Phillips head screwdriver, Flat Blade screw driver or punch & hammer for knock outs

## Lock Plates

Install Lock Plate Assembly on each Track; 1 on Left, 1 on Right

*Note for Retrofit tracks without track notches skip to notching track on page 8 before installing lock plates.*

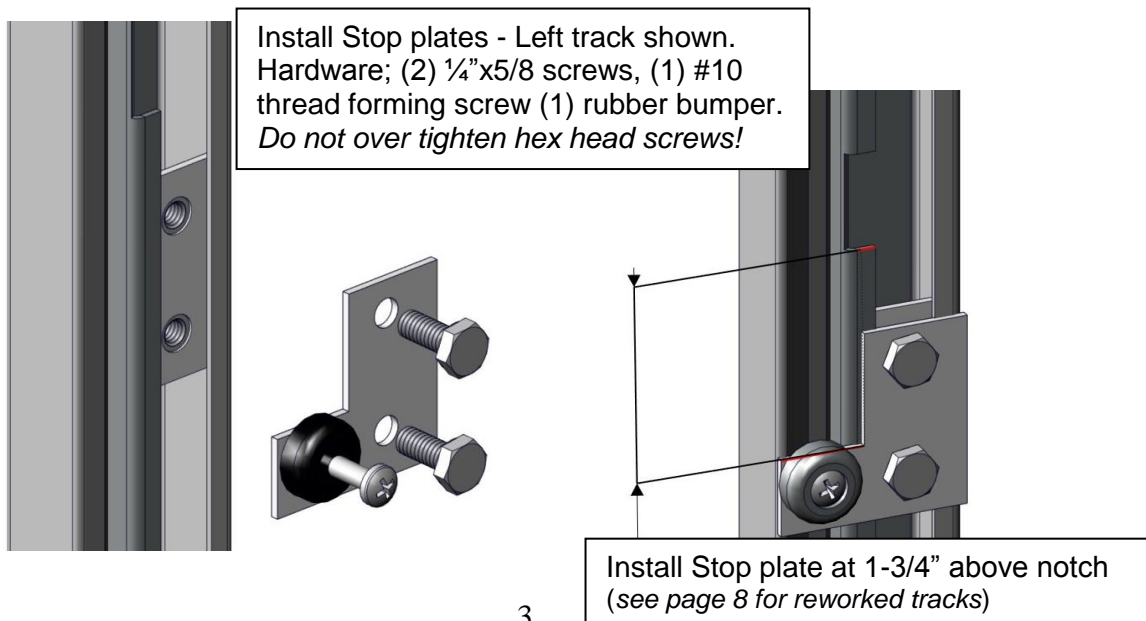


## Stop Plates

Doors that stop & lock above drawers require Stop Plates. Assembly on each Track; 1 on Left, 1 on Right

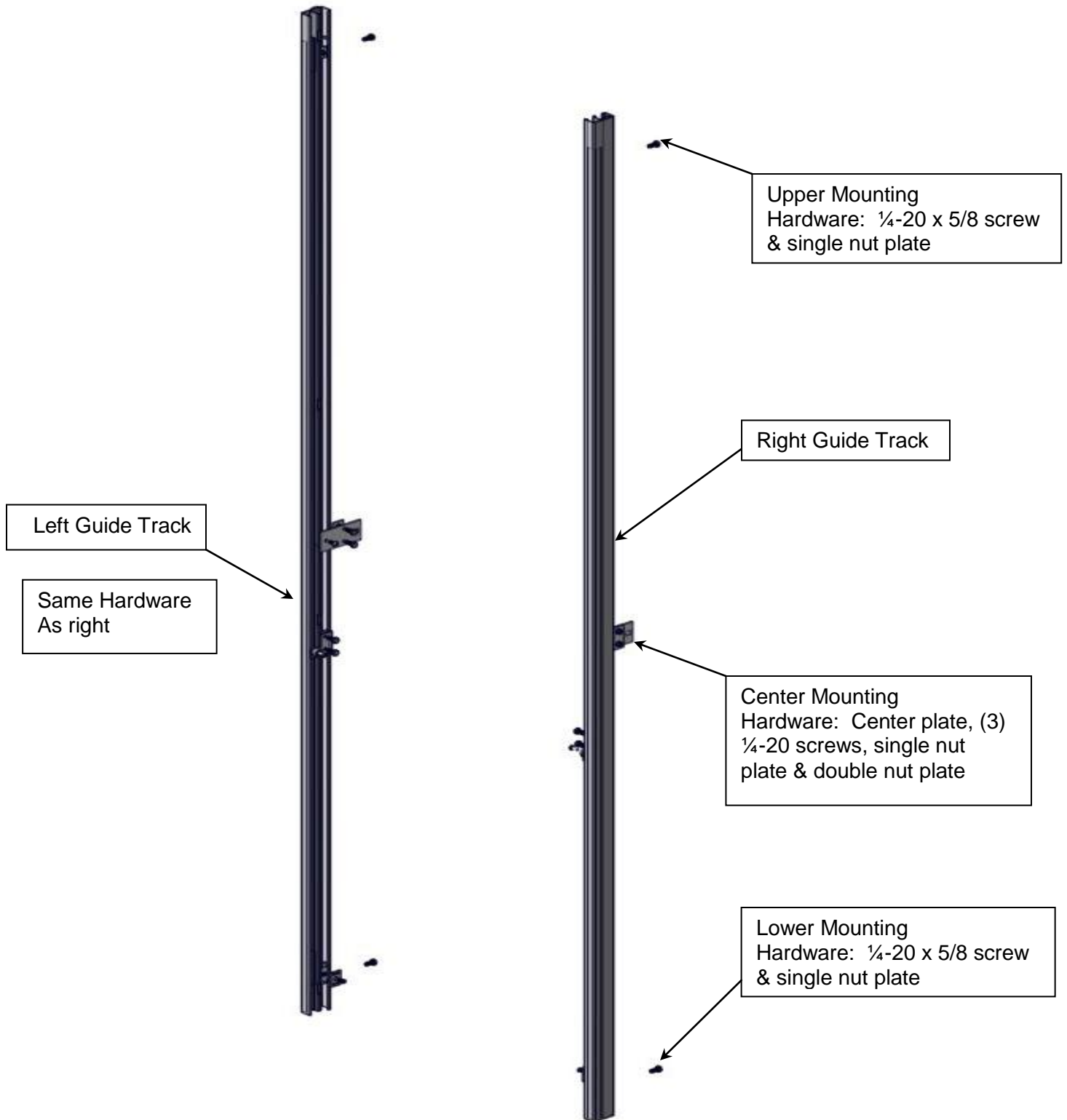
*(Doors that lock at floor level do not require stop plates shown below)*

*Note for older tracks without track notches already installed skip to installing plastic guides (page 8) before notching tracks (page 8).*



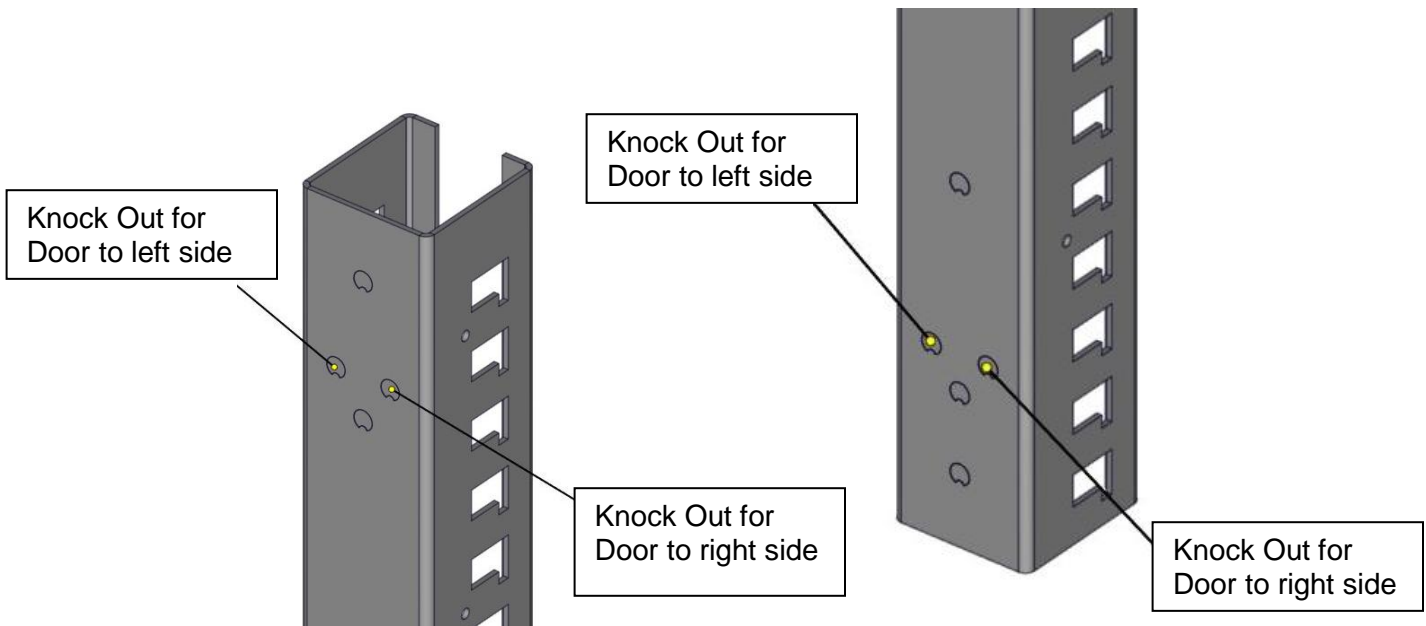
# Bolt-on Door Tracks

## Items, Hardware & Required Tools



## Bolt-on Door Tracks - Storage Wall Preparations

Remove upper & lower knock-outs on Storage Wall® post if necessary



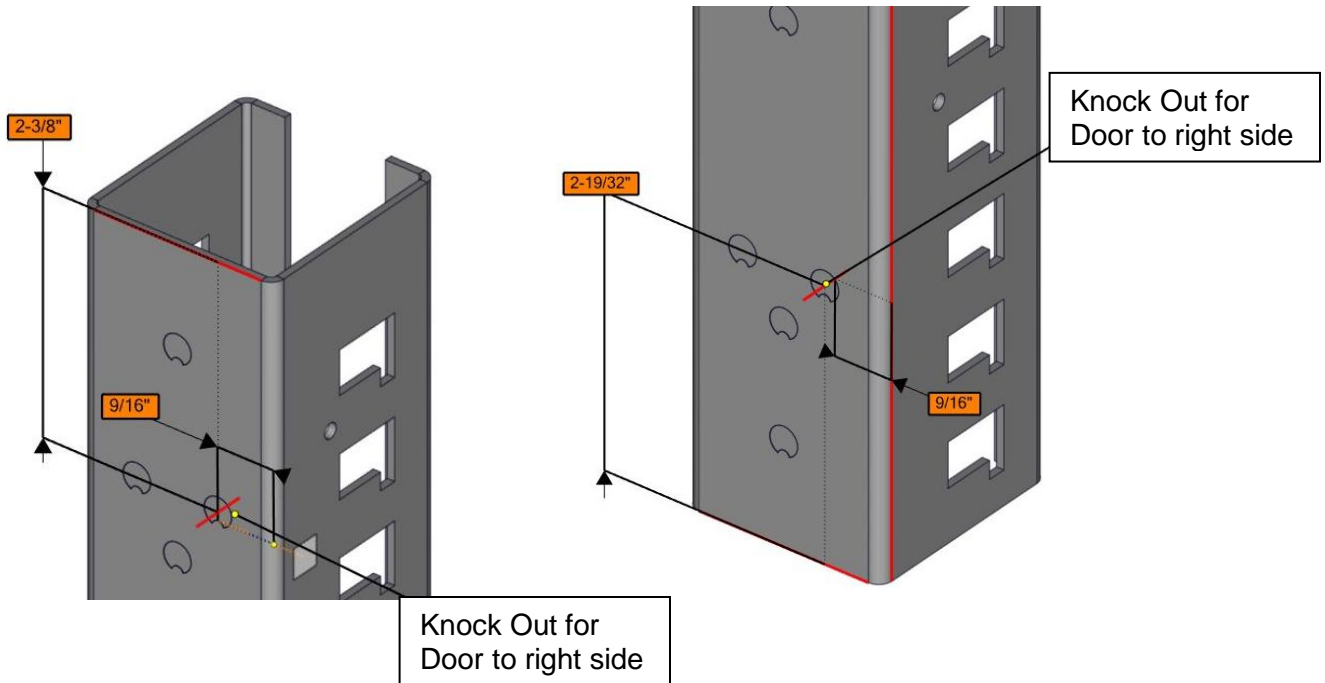
Upper Post Knock Outs

Lower Post Knock Outs

Drilling Holes on Posts without knock outs.

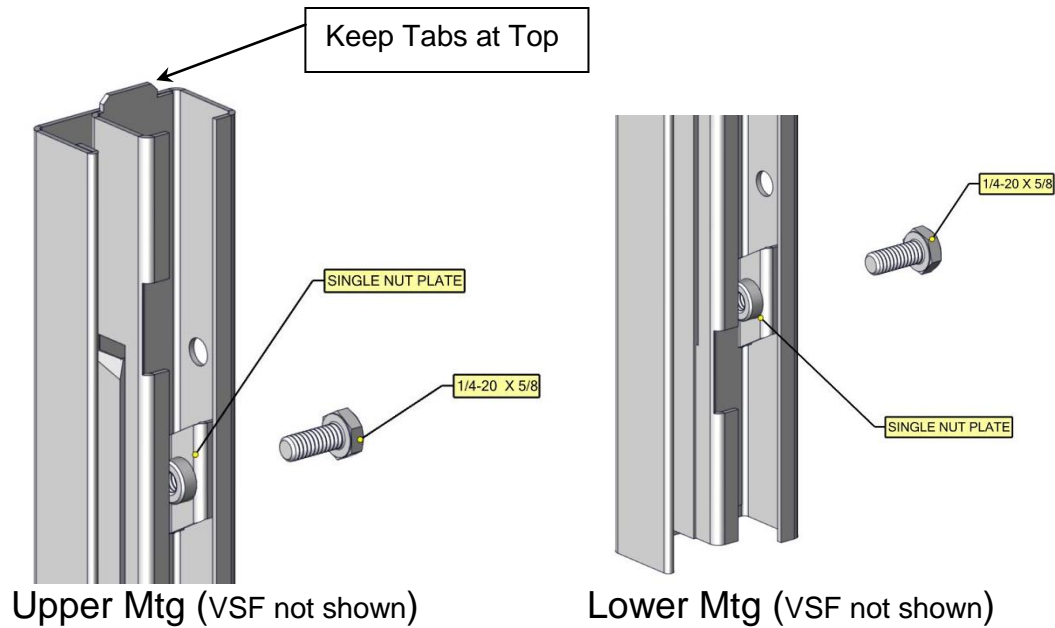
Drill one (5/16" dia) hole at top & bottom of each post as shown

*Note posts that have a door on both sides will require four holes total – (2) Top & (2) bottom.*



# Bolt-on Door Tracks – Assembling to Storage Wall

One track Left & One track Right – Keep tabs facing up.

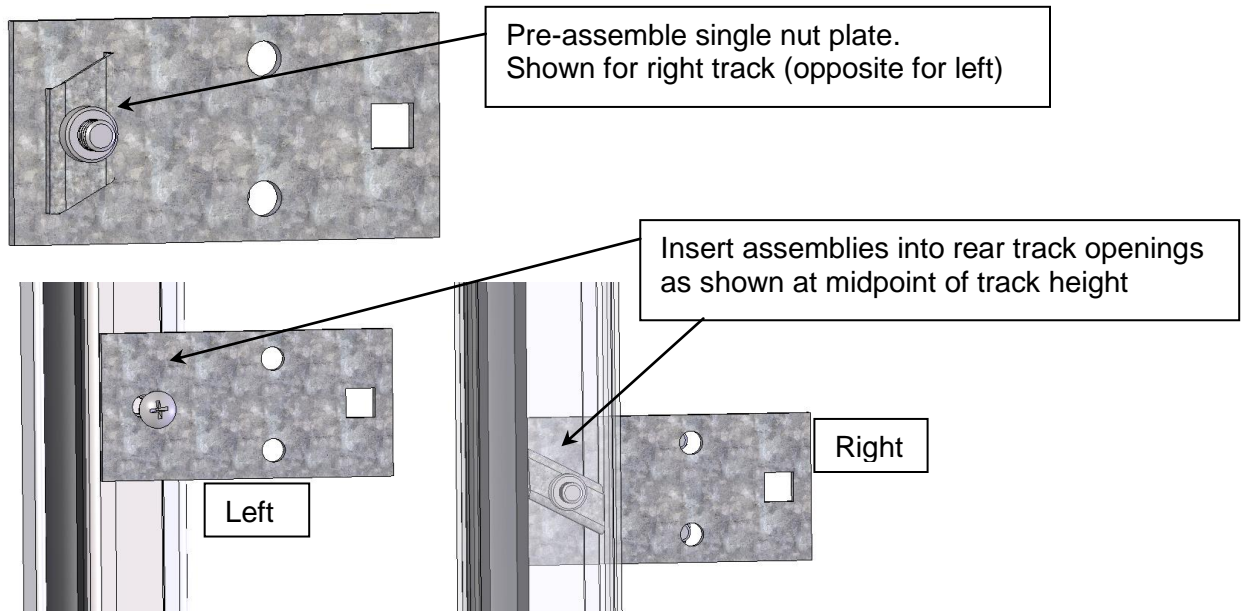


## Track Assembly (7/16" wrench or socket)

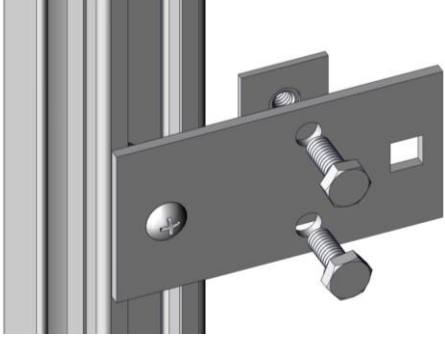
- Mount left track with (2) ¼-20 bolts & single nut plate (1) top & (1) bottom  
Repeat previous two steps using right track

## Center Mounting Plates – (1) Left, (1) Right

Attach (1) nut plate with (1) ¼-20x3/8 truss head screw to each center bracket as shown



## Center Mounting Plates Continued



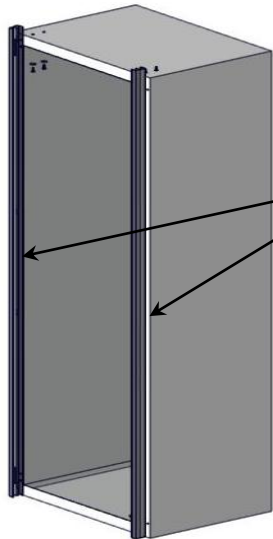
Finish with double nut plate behind shelving post & two 1/4-20 x 5/8 screws

*Note: Drawers installed anywhere on Storage Wall will prevent installation of center bracket. If possible move bracket above drawer set.*

## Welded Tracks – New Components

New installation Storage Wall with welded tracks require no assembly. Skip to page 9 (New Door Installation)

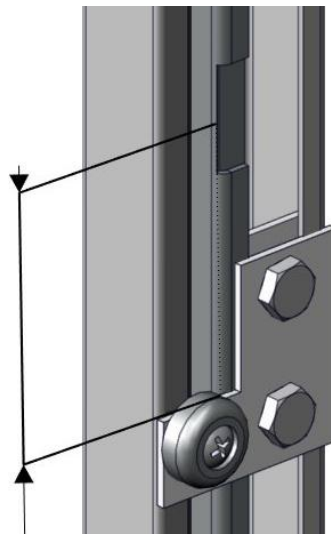
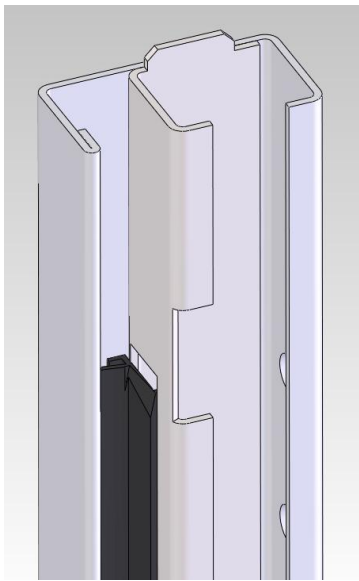
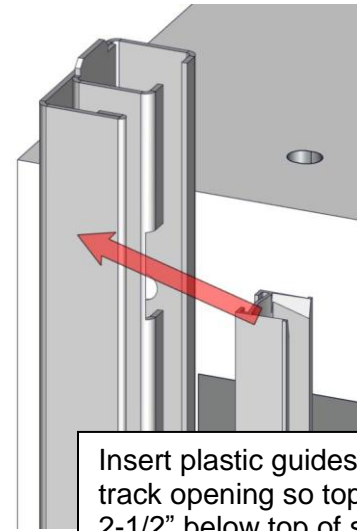
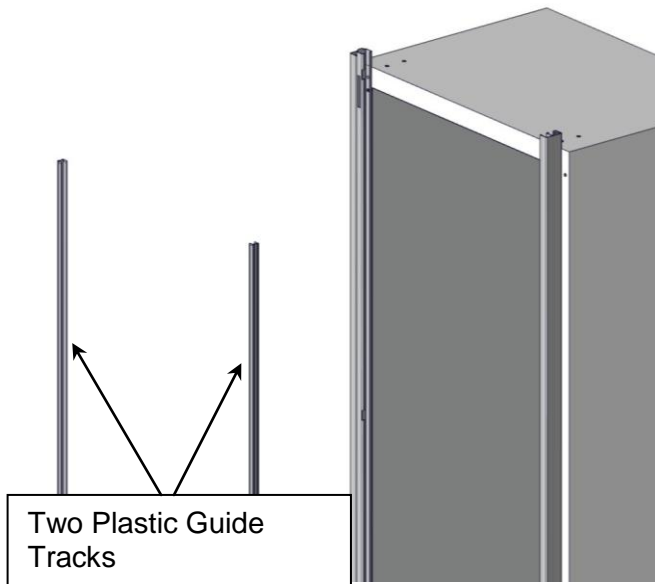
*Reference page 8 for retrofitting pre-existing welded tracks.*



Welded Steel Tracks –  
Plastic guides factory  
installed

## Retrofitting Existing/Older Tracks

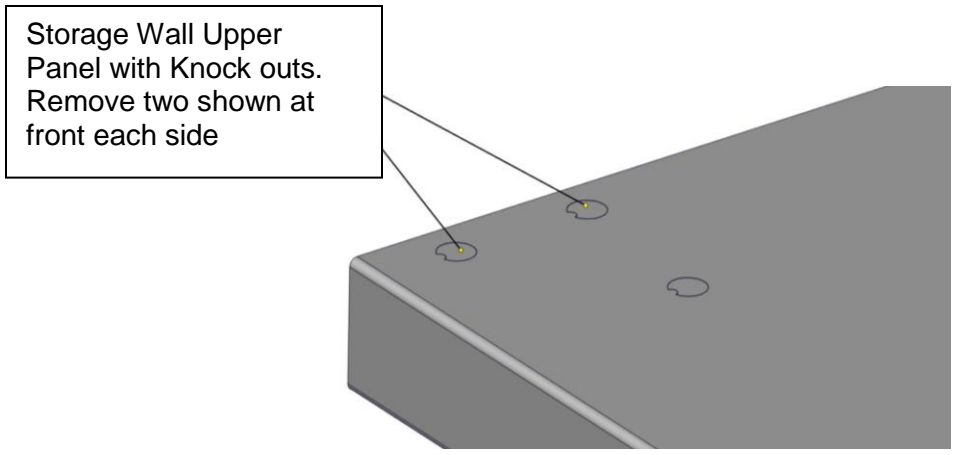
Existing/older tracks that are either welded or bolted will need plastic track guides installed & notches cut into both tracks if locking is desired.



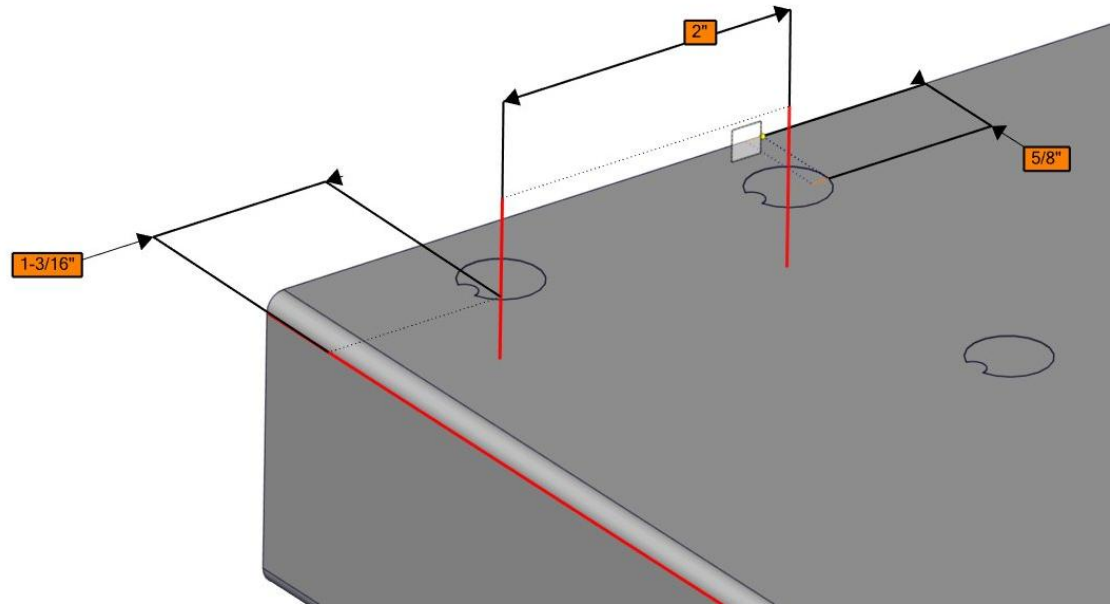


# New Door Installation Upper Panel Preparations

Holes on Upper Panels with Knock outs (if applicable)

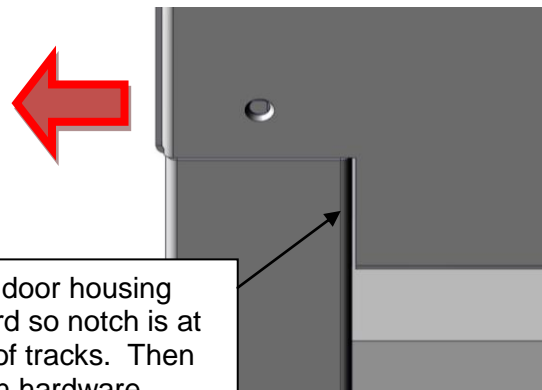
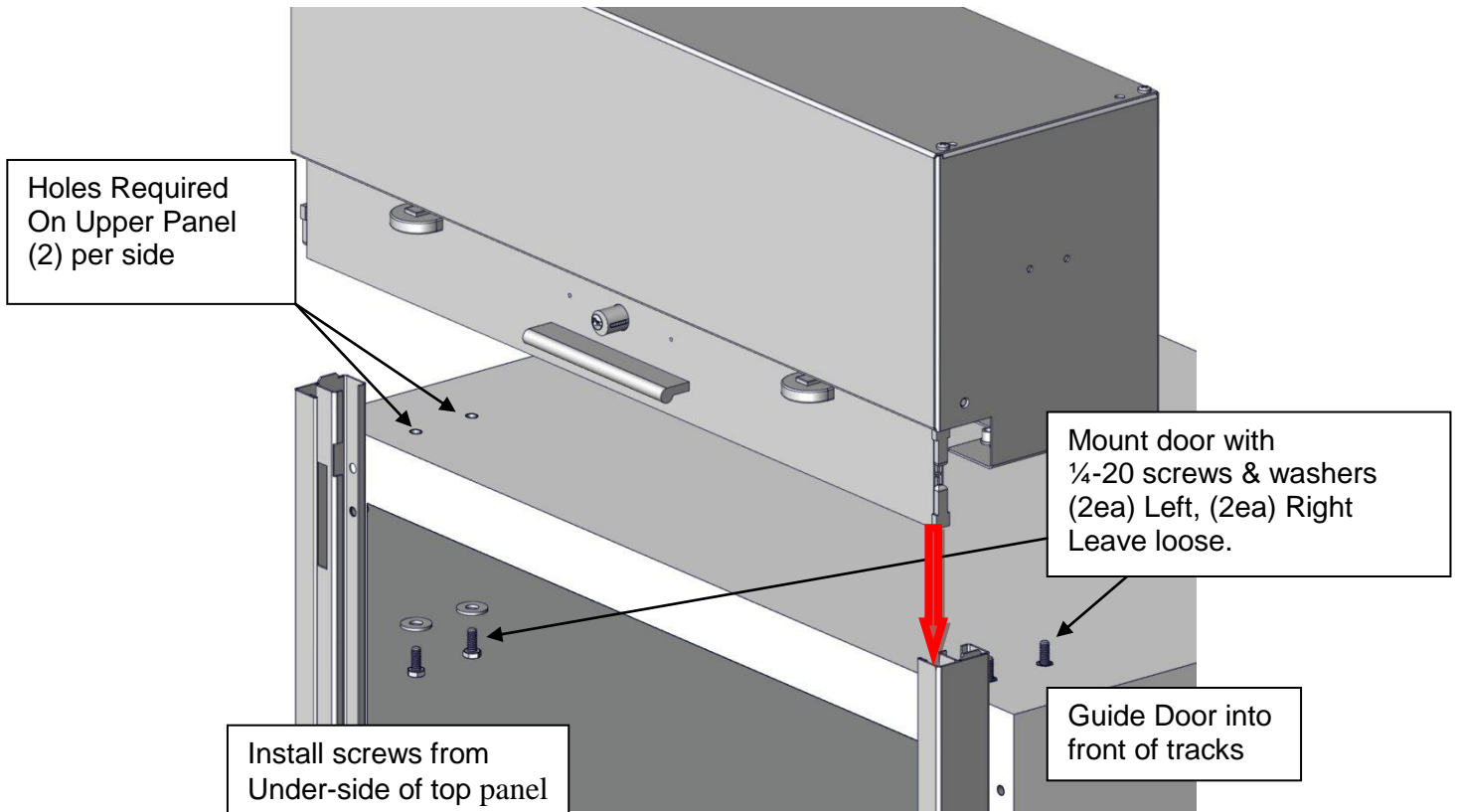


Holes on Upper Panels without knock outs (rework with drill)  
1-3/16" from front, 5/8" from side, 2" apart on center



## Install Door Assembly (7/16" wrench or socket)

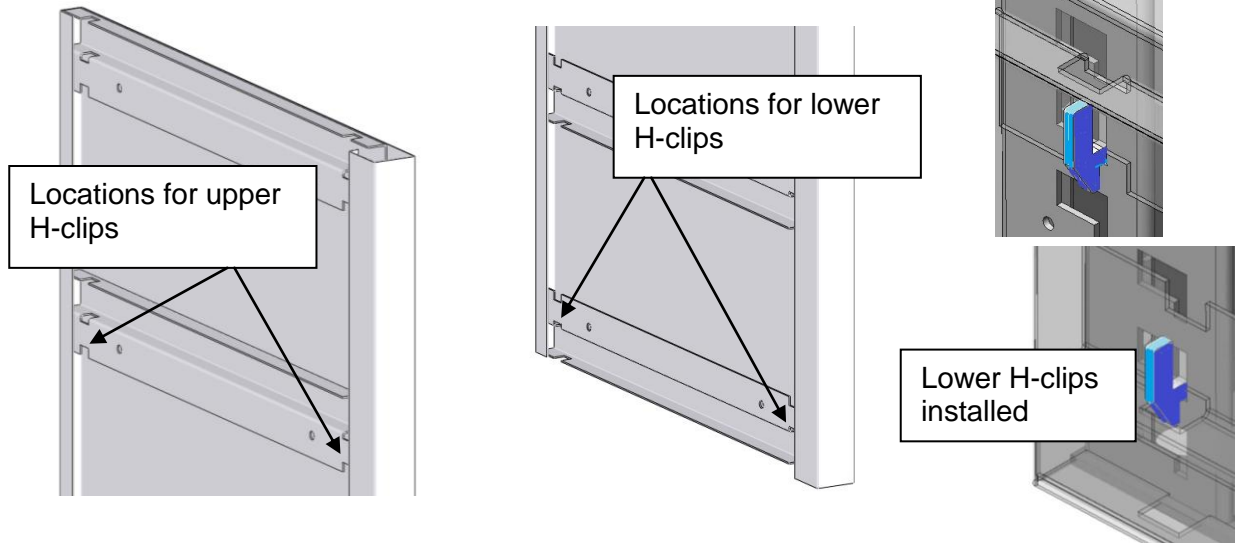
- Be sure upper panel holes are open for mounting per page 9.
- Carefully place door assembly on top of Storage Wall® while guiding door handle into front slot of tracks. Upper track tabs need to sit inside door housing.
- Align mounting holes & install (4) ¼-20 screws with washers - hand tight
- Pull door housing forward so notch touches tracks as shown below (both sides).
  - Slowly open door to check function – If good tighten all four screws with wrench. If not recheck previous four steps.



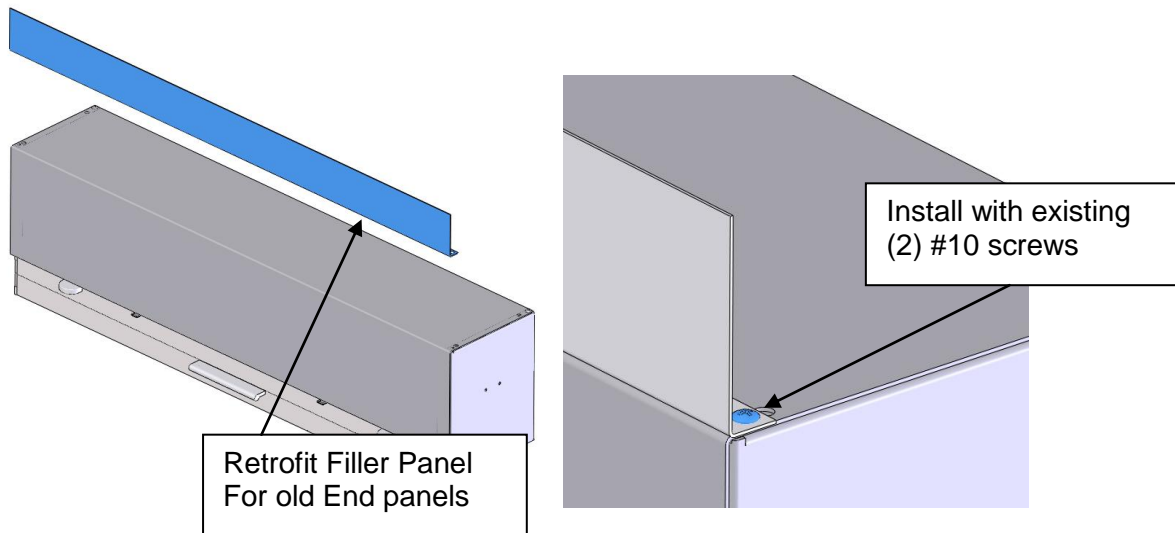
**Installation Complete -**

## Door Options, Accessories & Care:

End Panels – Install with H-Clips (2) top (2) bottom

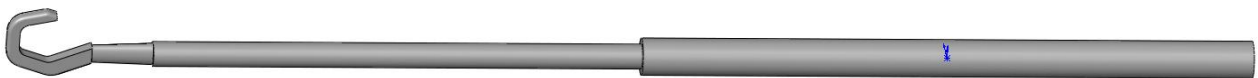


Retrofit filler panel – for housing to match height of pre-existing/older end panels



Door Hook for use with taller doors

Comes with wall mount clip



## Door Care:

Keep door tracks clear of debris & clean as needed to prevent marking of door front. Use mild soap solution & damp cloth to clean & maintain overall appearance. Tougher marks may require a commercially available glass cleaner or cleaning solution.

Making Workspace Work ® is a trade mark of Lista International Corporation

Creation Date: 6-21-2012  
Document Number: SG017B3

This document is proprietary information of Lista International Corporation. Unauthorized reproduction of any portion of this document is prohibited without written consent of Lista International Corporation. The material in this document is for informational purposes only. It is subject to change without notice.

© 2012 Lista International Corporation  
106 Lowland Street  
Holliston, MA 01746-2094  
E-mail: [sales@listaintl.com](mailto:sales@listaintl.com)

All rights reserved  
For questions or technical support call **1-800-722-3020**

Document # SG017B3  
6/21/2012  
Rev; 01