

Proper Usage and Installation for Lista drawer cabinets



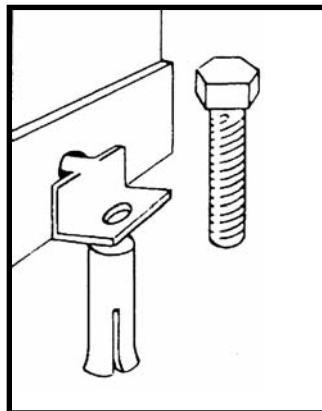
1 Any free-standing Lista cabinet must be fastened to the floor.



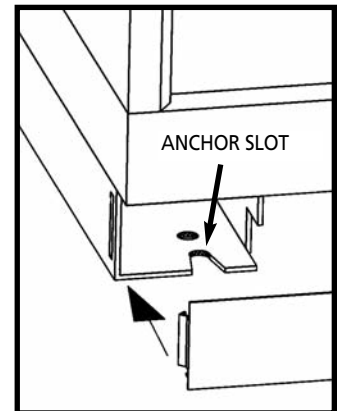
2 Cabinets in a row should be bolted together through the sidewalls. The endwalls should be fastened to the floor (see #3 below). For the side-to-side bolt kit, ask for Part No. SS-KIT.

CAUTION
ALWAYS BOLT CABINETS SIDE-TO-SIDE OR ANCHOR TO THE FLOOR BEFORE LOADING TO PREVENT CABINET TIPPING.

ALWAYS SUPPORT SIDE-MOUNTED CABINETS BEFORE REMOVING DRAWERS TO PREVENT CABINET TIPPING.



3 For cabinets with no base, fork truck base or frame base, insert angle piece into hole in bottom. For the floor bolt kit, ask for Part No. X1141-1.**



4 Alternate anchoring for cabinets with fork truck base: properly anchor base to floor at front and back using the slots indicated.

- Properly position rear anchors and bolts (customer-supplied), allowing enough clearance to slide the cabinet into position.
- Install front anchors.

LISTA
making workspace work®

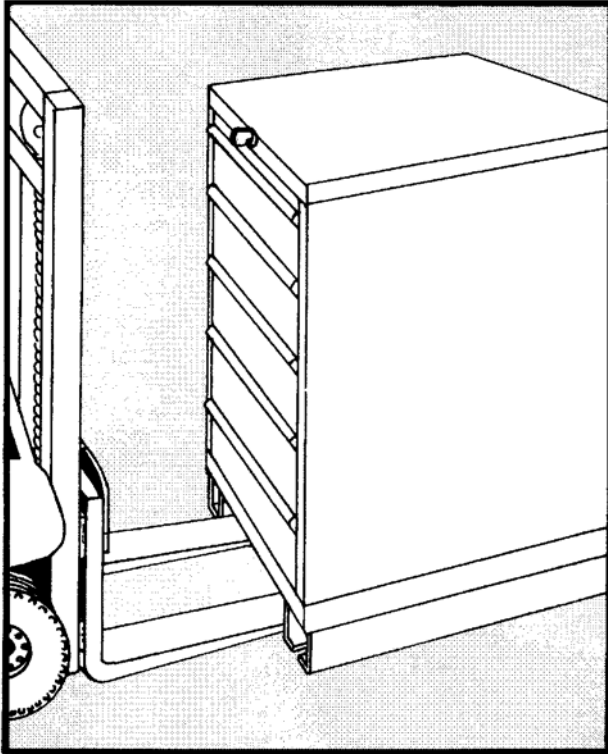
Lista International Corporation
106 Lowland Street, Holliston, MA 01746-2094
Telephone: (800) 722-3020
Fax: (508) 626-0353
www.listaintl.com
E-mail: sales@listaintl.com
ISO 9001 certified

Mounting hardware is available free of charge on request by calling Lista Customer Service at 1-800-722-3020.

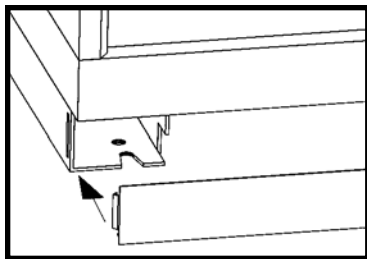
* SS-KIT includes (4) each nuts and bolts.

** X1141-1 includes (2) fastening brackets, anchors, hardware and installation instructions.

Proper Usage for Lista drawer cabinets



All Lista cabinets should be locked while moving.



Base cover plate easily snaps on and off to allow for pick-up by fork or pallet truck.

LISTA
making workspace work®

⚠ CAUTION



Do not step into an open drawer.



Do not sit on an open drawer.



Open only one drawer at a time.



The load capacity per drawer (as shown in the catalog) is designed for evenly distributed loads.



Do not drop any heavy loads into a drawer.



All cabinets should be secured to prevent tipping.