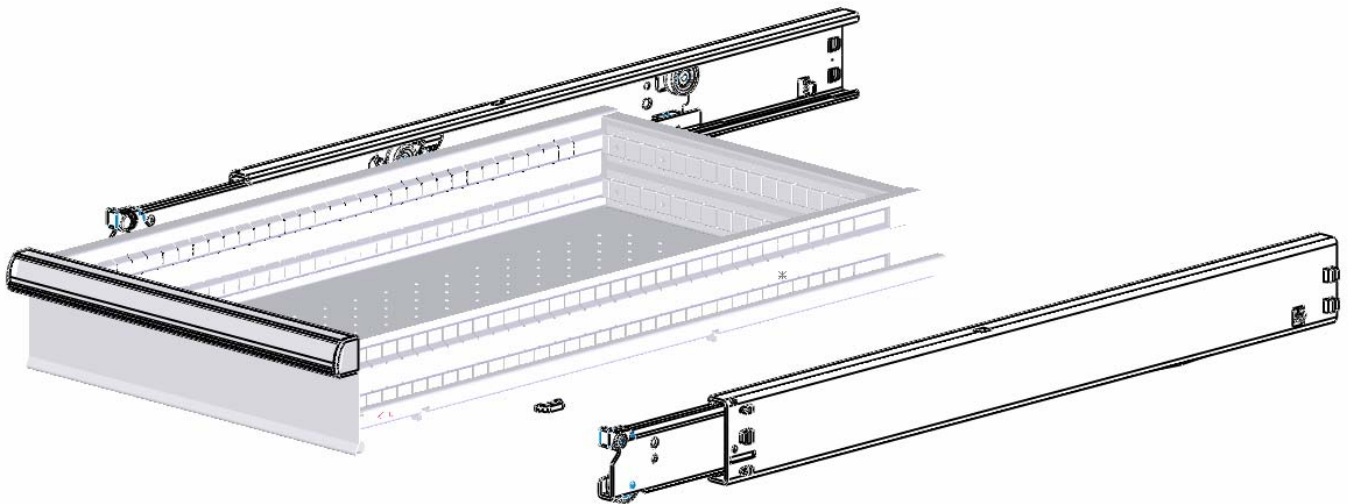




making workspace work®



# Lista Drawer Suspension Installation & Removal

IMPORTANT READ & SAVE THESE INSTRUCTIONS

## Table of Contents:

<b>Lista Suspension Safety</b>	_____	page 1
<b>Tools required</b>	_____	page 2
<b>Parts included</b>	_____	page 2
<b>Post Track Installation</b>	_____	page 3 - 4
<b>Locating Post Tracks</b>	_____	page 4
<b>Middle Track Installation</b>	_____	page 5
<b>Drawer Tray Installation</b>	_____	page 6
<b>Drawer/Tray Removal</b>	_____	page 7
<b>Post &amp; Middle Track Removal</b>	_____	page 7

## LISTA SUSPENSION SAFETY

### IMPORTANT SAFETY INFORMATION READ ALL INSTRUCTIONS BEFORE USING



← This is the safety alert symbol

This symbol alerts you to potential hazards that can injure you & others

All safety messages will follow the safety alert symbol and the word "CAUTION" or "NOTICE" which means:



**You may be seriously injured if you don't follow instructions.**



**Property damage or failure may occur if you don't follow instructions.**

All safety messages will tell you what the potential hazard is, tell you how to reduce the chance of injury, and tell you what can happen if the instructions are not followed.

Always refer to application specific material supplied with product where suspension components will be used.

- For cabinet applications refer to safe-use documents: ***Proper Usage of Lista Cabinets, Mounting Installation Instructions of Lista Cabinets*** or ***Important Loading Instructions for Mobile Cabinets***
- For shelving applications refer to installation manuals: ***Lista Storage-Wall instructions*** or ***Lista Control Station instructions***

---

Read and follow the instructions provided with any tools listed below. Use personal protective equipment as required.

**Tools:**

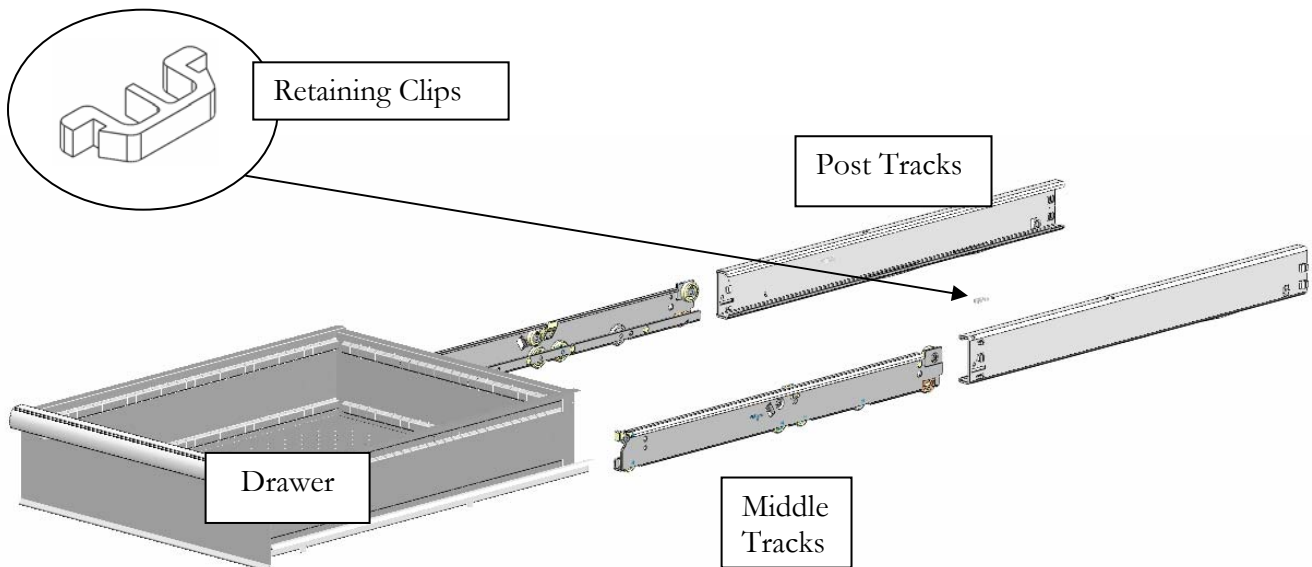
- Small Needle-nosed pliers or Slotted/Common Screwdriver
- Mallet or Hammer

**Personal Protection:**

- Work Gloves
- Eye protection

**Included Parts:**

- **Drawer** – includes left & right drawer tracks
- **Middle Tracks** (left & right) – includes latch
- **Post Tracks** (left & right)
- **Retaining Clips** – one per post track

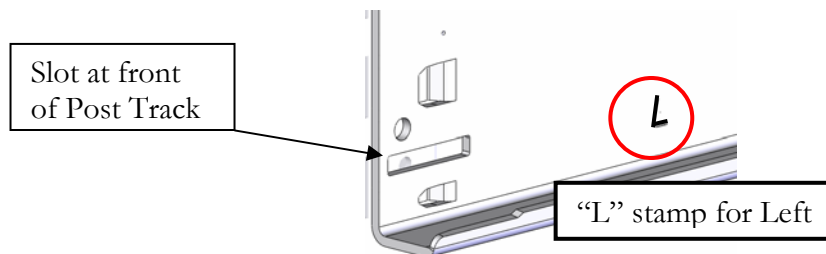
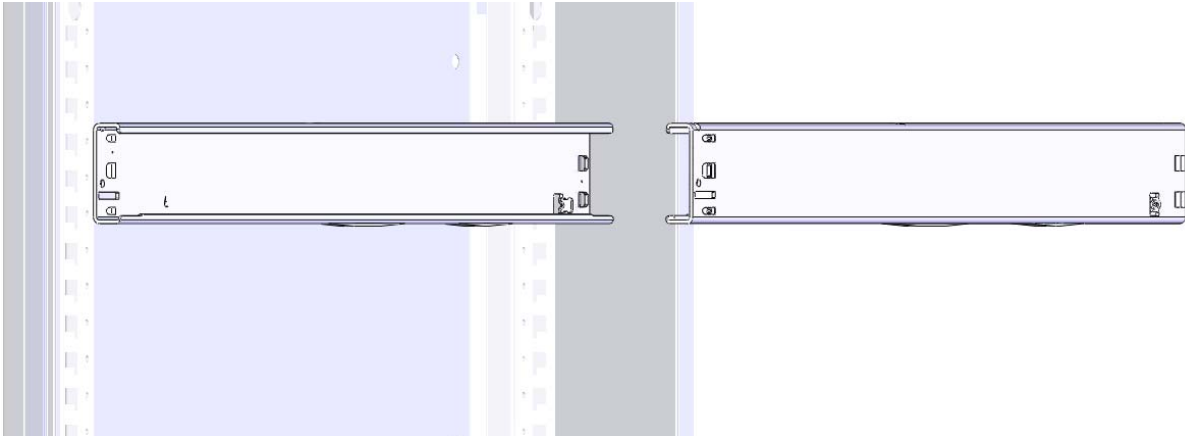


## Post Track Installation:



- 1) **Install Left & Right Post Tracks onto cabinet or storage wall so tracks are level & at the same height.** If installing more than one drawer start with the top drawer & work down.

*Note:* Tracks are marked near the front with an “L” for left & “R” for right (“L” for Left shown). The front of the Tracks can be identified by a 3/16 x 1-1/8 slot as shown below.



**Post Track Installation Continued:**

**⚠ CAUTION**

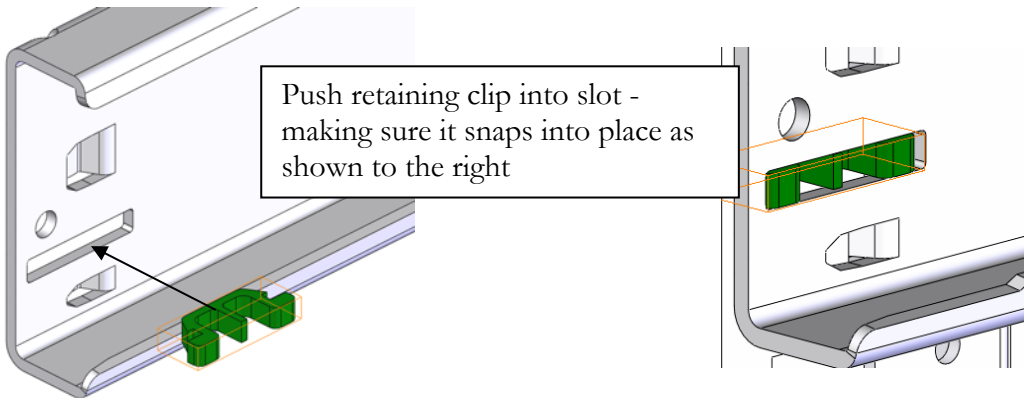
**Unsecured Component Hazard**

Be sure retaining clips are properly installed

Failure to do so may allow drawers/tracks to dislodge resulting in injury or damage!

**2) Insert retaining clips into rectangular slots on each Post Track as shown.**

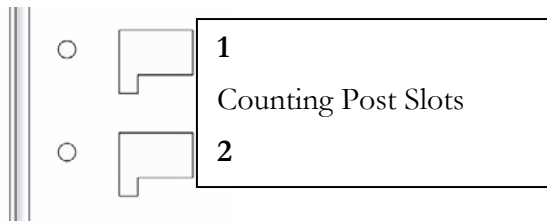
*Note:* If retaining clips cannot be installed then the Post Track may not be fully seated or Post track may not be installed level. Reinstall Track if not level. To seat a level Post Track tap down with a mallet or hammer.



**Locating Post tracks:**

**Refer to the table below to determine proper location of the bottom of next Post Track.** When installing multiple drawers start at the top & work down.

*Note:* Drawers mounted at the very bottom of the cabinet or Storage Wall requires the tracks to be mounted into the lowest post slots available.

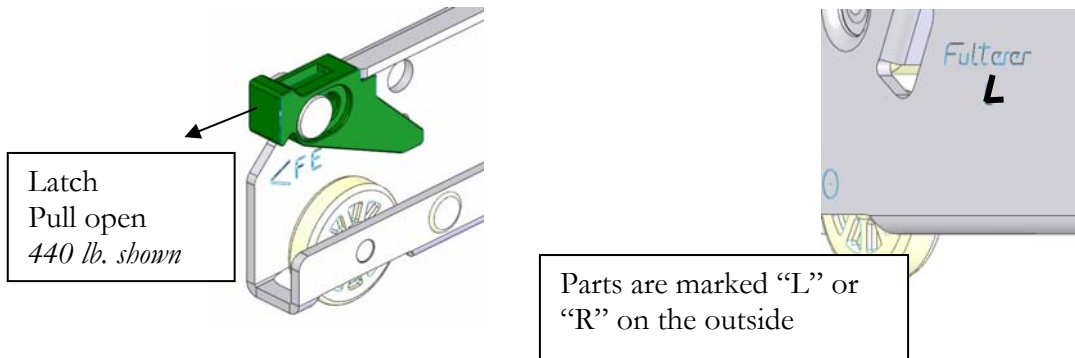


Drawer type	Count down Slots
(2") 50	2
(3") 75	3
(4") 100	4
(5") 125	5
(6") 150	6
(7") 175	7
(8") 200	8
(9") 225	9
(12") 300	12
(14") 350	14

## Middle Track Installation:

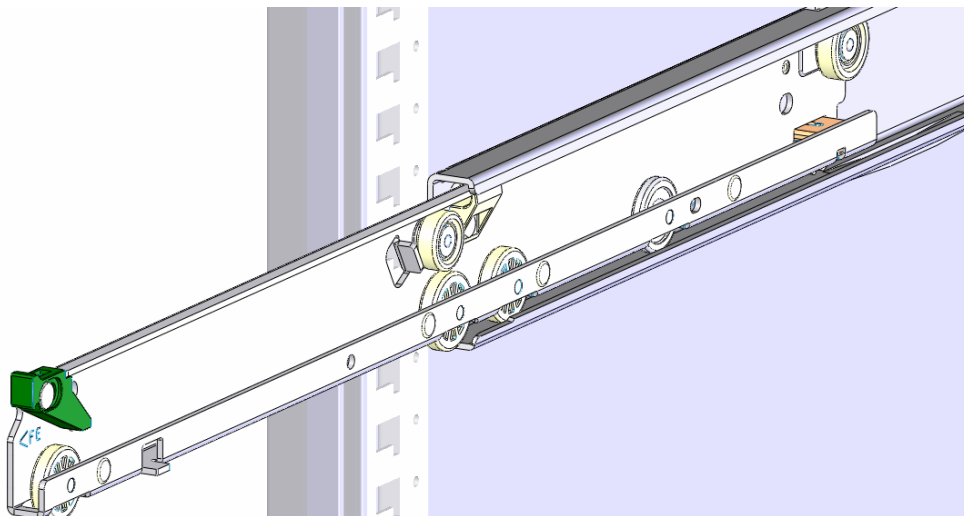
Each Post Track will require a Middle Track before any drawer or tray can be installed.

- 1) **Pull latch open on left & right middle tracks (if not already open).** Latch will pivot freely when open.



- 2) **Insert Middle Tracks into Post Tracks, as shown.** Be sure to keep the left Middle Track with the left post Track and likewise on the right.

*Note:* Lift the front of the Middle Track while inserting if resistance is encountered.

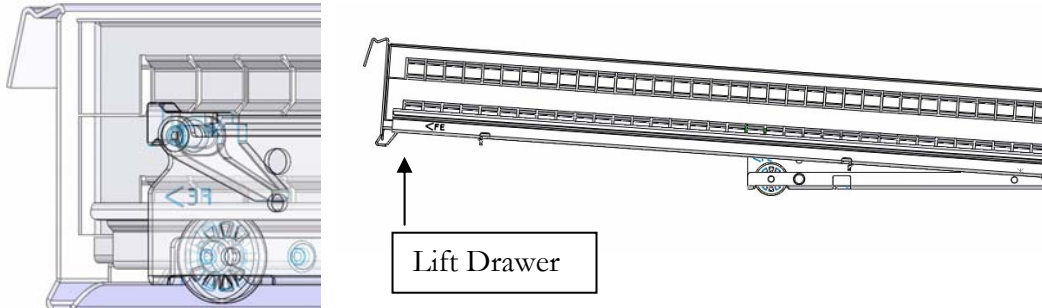


## Drawer/Tray Installation:

Always refer to cabinet instructions regarding loading & use before loading drawers

- 1) Insert drawer/tray into the Middle tracks so that the drawer tracks ride on top of the Middle Track wheels as shown below.

*Note:* Lift the front of the drawer while inserting once resistance is encountered.

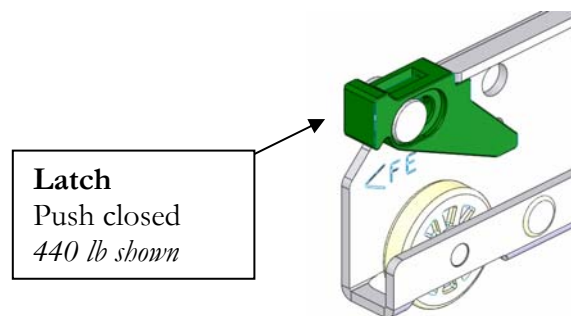


**⚠ CAUTION**

**Unsecured Component Hazard**

Be sure Middle track Latches are properly closed  
Failure to do so could allow drawers to become dislodged resulting in injury or damage!

- 2) Push drawer/tray almost fully closed then push each Middle track latch closed.

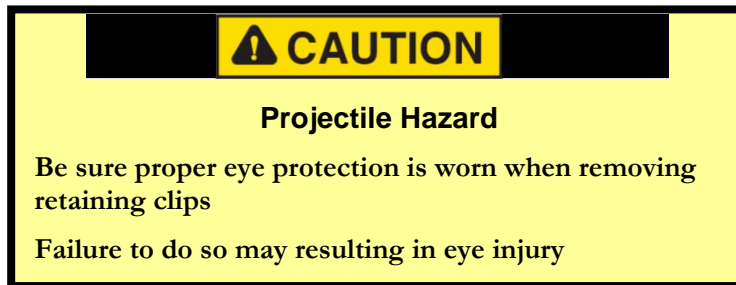


- 3) Close drawer completely. Repeat steps 1 – 3 as needed for other drawer(s).
-

## **Drawer/Tray Removal:**

Reverse installation steps above or See “Drawer Removal Instructions” (Document MD052A3)

## **Post & Middle Track Removal:**



**Reverse steps outlined in Track Installations...use needle-nose pliers or a small slotted screwdriver to remove retaining clips from Post Tracks**

*Note:* Once drawer/tray is removed pull Middle Tracks out to stopping point then lift the front of the Middle Track while simultaneously pushing down on the lower rear to bypass stops.



Making Workspace Work® is a trademark of Lista International Corp.

Creation Date  
09-04-2008

Document Number  
MD053A3 Rev. 1

This document is proprietary information of Lista International Corporation. Unauthorized reproduction of any portion of this document is prohibited without written consent of Lista International Corporation. The material in this document is for informational purposes only. It is subject to change without notice.

© 2008 Lista International Corporation  
106 Lowland Street  
Holliston, MA 01746-2094  
E-mail: [sales@listaintl.com](mailto:sales@listaintl.com)

All rights reserved

For questions or technical support call **1-800-722-3020**

---