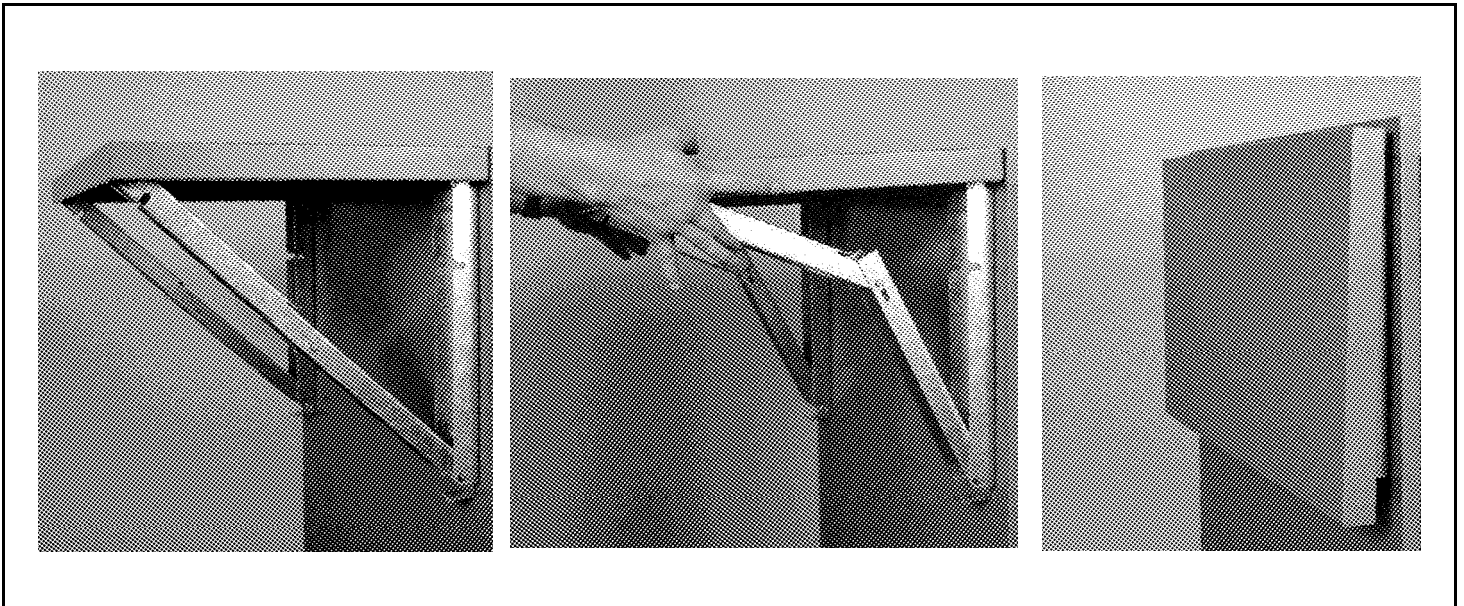


INSTALLATION AND USE INSTRUCTIONS FOR THE CABINET FOLDING SHELF



CAUTION

MAXIMUM LOAD CAPACITY IS 50 LBS.

KEEP FINGERS AWAY FROM ANY POSSIBLE
PINCH POINTS WHEN OPENING/CLOSING SHELF

Assembly and Use Instructions for Cabinet Folding Shelf

SAFETY PRECAUTIONS

CAREFULLY READ THESE INSTRUCTIONS BEFORE INSTALLING OR USING THE FOLDING SHELF

BE SURE TO TIGHTEN ALL HARDWARE SECURELY (DO NOT OVER TIGHTEN) PRIOR TO USING SHELF

BE SURE THAT ALL BRACKET PINS AND COTTER PINS ARE COMPLETELY AND SECURELY INSTALLED

BEFORE USING SHELF, VERIFY THAT THE SHELF IS SECURELY AND PROPERLY INSTALLED

DO NOT EXCEED RATED LOAD CAPACITY OF 50 LBS.

DO NOT REMOVE OR OBSCURE ANY SAFETY LABELS ON SHELF

BE SURE NO ITEMS ARE ON SHELF BEFORE FOLDING

KEEP HANDS AWAY FROM PINCH POINTS WHEN OPENING/CLOSING SHELF

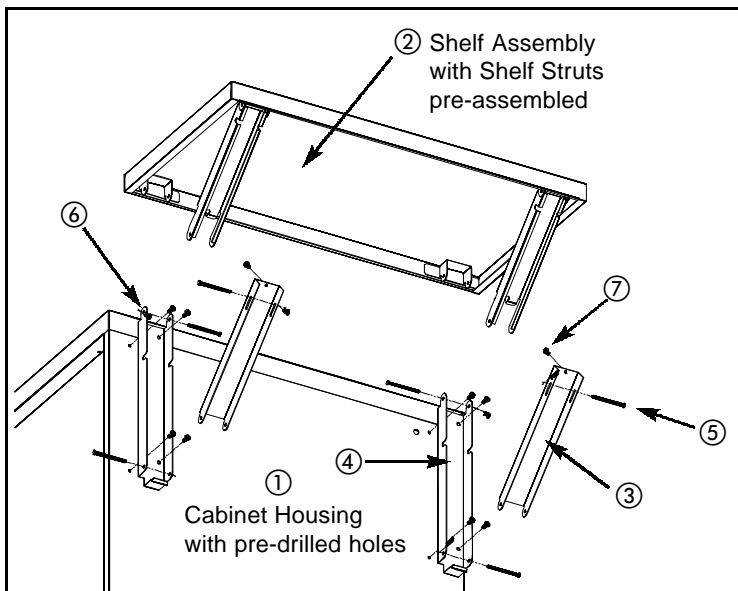
REQUIRED TOOLS

Phillips Head Screwdriver

Gloves

COMPONENTS LIST (Quantity)/Part

① Cabinet housing (1)	n/a
② Shelf Assembly, includes Shelf Struts (1)	n/a
③ Lower Shelf Struts (2)	CA033AAA
④ Mounting Brackets (2)	CA030AAA
⑤ Bracket Pins (3/16" x 2 1/2") (6)	112632
⑥ Cotter Pins (#4 hair pin) (6)	112631
⑦ #10 x 1/2" pan head Screws (10)	104546
⑧ Bumpers (2)	104402



Assembling Mounting Bracket to Cabinet Housing (See Figure 1)

- 1 Mounting Brackets ④ are to be installed With the Snap Leg facing down
- 2 Fasten each Mounting Bracket ④ to Cabinet Housing ① using four #10 x 1/2" Screws ⑦. Do not over tighten.
- 3 Repeat for other side of cabinet.

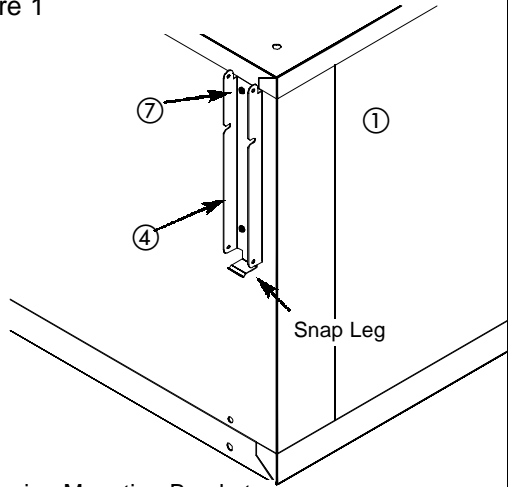
Assembling the Lower Struts (See Figures 2 & 3)

- 1 Insert one #10 x 1/2" Screw ⑦ into the hole in the back of the slotted end of the Lower Shelf Strut ③. (See View A)
- 2 Fit the top of the Lower Shelf Strut ③ over the bottom flange of the Mounting Bracket ④ (The open side of the strut should face the cabinet when strut is pointing down). (See Figure 2)
- 3 Insert the Bracket Pin ⑤ through the holes in the Mounting Bracket ④ and Strut ③ so head of the Bracket Pin ⑤ faces the outer edge of the Cabinet Housing.(See Figure 3)
- 4 Insert the Cotter Pin ⑥ to completely secure Bracket Pin ⑤ in place.

Shelf Installation (See Figures 4-6)

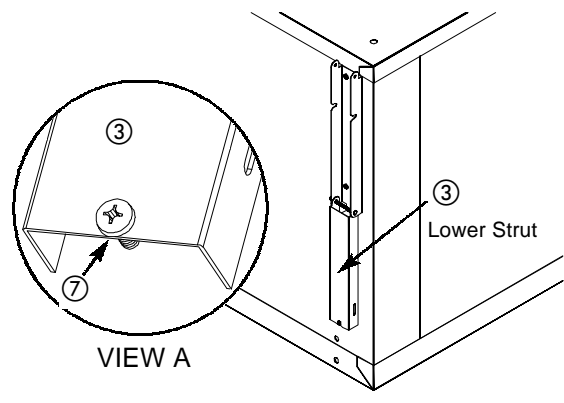
- 1 Place Shelf Assembly ② on top of Mounting Brackets ④ (with struts facing down) so Shelf Mount holes align with Mounting Bracket holes. (See Figure 4)
- 2 Align bottom holes in Shelf Struts with slots in Lower Struts ③. (See Figure 5)
- 3 Secure with Bracket Pin ⑤ and insert Cotter Pin ⑥ completely through hole in Bracket Pin.
- 4 Secure Shelf Assembly ② to Mounting Brackets with Bracket Pins ⑤ and insert Cotter Pins ⑥ completely through hole in Bracket Pins ⑤.
- 5 Apply two rubber shelf Bumpers ⑧ to the edge of the Shelf that faces the Cabinet Housing ①. (See Figure 6)

Figure 1



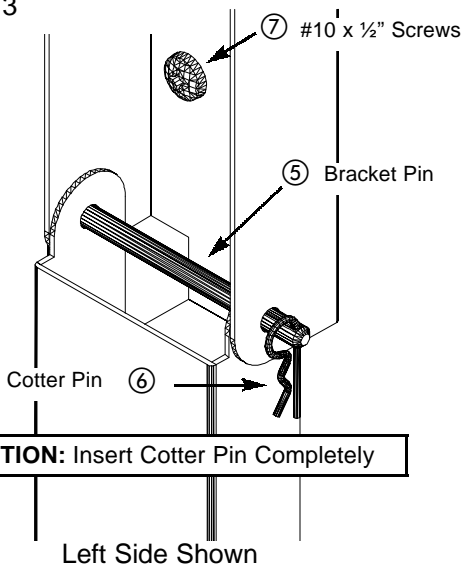
Positioning Mounting Bracket

Figure 2



Assembling Lower Strut to Mounting Bracket

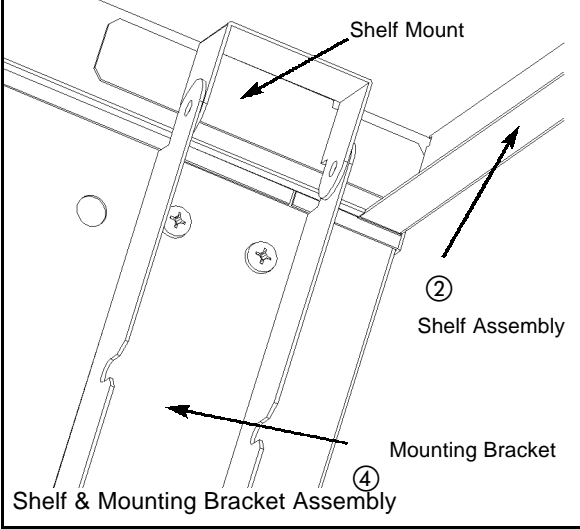
Figure 3



CAUTION: Insert Cotter Pin Completely

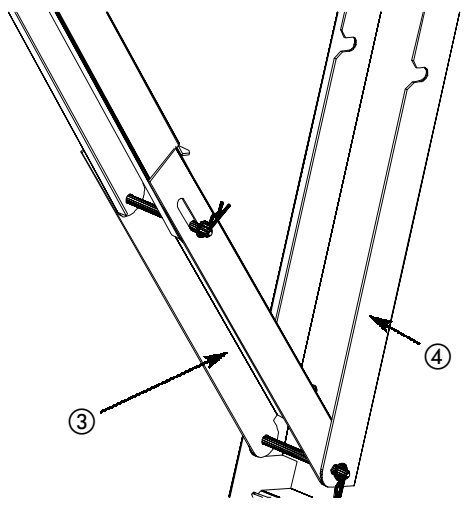
Left Side Shown

Figure 4



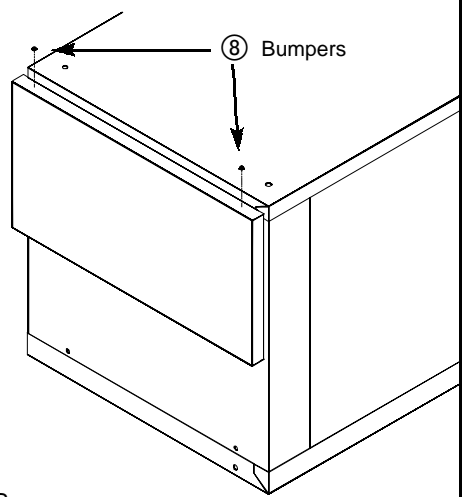
Shelf & Mounting Bracket Assembly

Figure 5



Strut Assembly

Figure 6



Installing Bumpers

Folding the Shelf (See Figures 8 & 9)

- 1 Lift the Shelf up and with two hands grasping the upper struts at the same time, carefully collapse the Struts and lower until the Shelf engages into Snap Clip.

CAUTION: BE SURE SHELF IS EMPTY BEFORE FOLDING AND KEEP FINGERS CLEARLY AWAY FROM ANY POSSIBLE PINCH POINTS (JOINT WHERE STRUTS FOLD AND IN BETWEEN SHELF AND CABINET HOUSING).

Extending the Shelf (See Figure 10)

- 1 Grasp lower edge of Shelf and firmly pull away from Snap Clips.

Inspection

Inspect completed Shelf Assembly by raising & lowering Shelf. Ensure that parts work properly without binding or scratching paint.

Drilling Holes in Existing Cabinets (See Figure 11)

Note: *Lista cabinets ordered with Folding Shelves are pre-drilled for our customer's convenience. In order to install a folding Shelf onto an existing cabinet, you must drill 8 mounting holes into the cabinet. Please follow these drilling instructions and refer to Figure 11.*

Tools Required

- Drill
- Center Punch
- Pen/Pencil

- 1 Remove all drawers, suspension carriages and U-Track Rails from the cabinet.
- 2 Position Mounting Brackets ④ in place, carefully measuring the distance 30mm [1.18"] in from the edge of the cabinet and 39.8mm [1.57"] down from top.
- 3 Use a pencil or pen to mark holes. Use center punch to ensure accuracy of drilled holes.
- 4 Use a 4.3mm or .17" diameter drill bit to drill holes

Lista International Corporation

106 Lowland Street
Holliston, MA 01746

Technical Support: (800) 722-3020, ext. 235 or 233

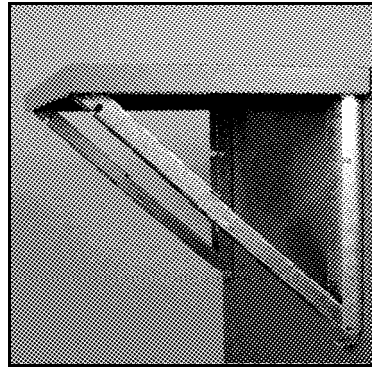
E-mail: sales@listaintl.com

Document Number: MD022A3, Rev 0, 05/2000

© 2000 Lista International, all rights reserved

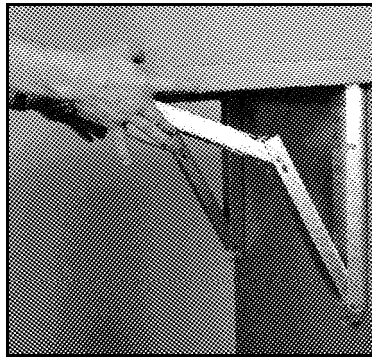
ISO 9001 Certified

Figure 8



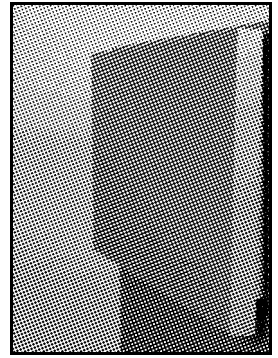
Shelf Extended

Figure 9

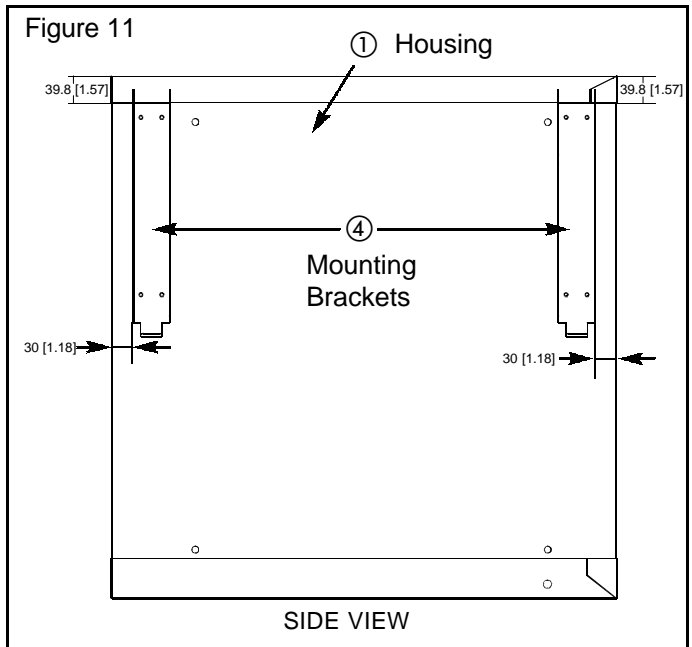


Closing Shelf

Figure 10



Shelf Folded



Dimensions are noted in metric [inches]