



Adjustable Shelf

Installation Instructions

0981-SH002A3-000 Adjustable Shelf Installation Instructions

Creation Date	2016/05/26
Document Number	0981-SH002A3-000
Rev	A
Description	Adjustable Shelf Installation Instructions

This manual is proprietary information of Lista International Corporation.

Unauthorized reproduction of any portion of the manual is prohibited without consent of Lista International Corporation.

The material in this manual is for informational purposes only. It is subject to change without notice.

Lista International Corporation assumes no responsibility for any typographical errors contained in the manual.

© 2016 by Lista International Corporation. All rights reserved.

106 Lowland Street

Holliston, MA

01746-2094

E-mail: sales@listaintl.com

For questions or technical support, call 888-559-4441.

Making Workspace Work® is a registered trademark of Lista International Corporation.

ISO 9001 Certified.



TABLE OF CONTENTS

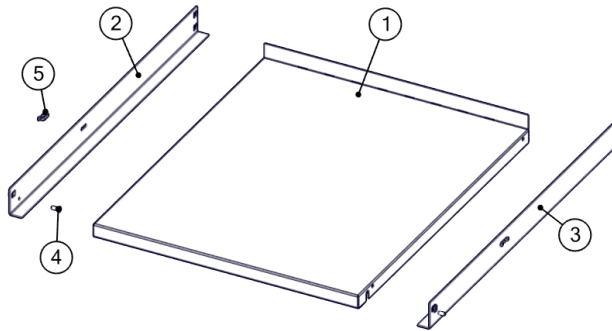
- 1. Introduction 4
 - 1.1 Related Documentation 4
 - 1.2 What's In the Box..... 4
 - 1.3 Tools Required 4
- 2. Installation Instructions 5



1. Introduction

1.1 Related Documentation




This section is duplicated in [SA006A3_Automotive_Products_Installation_Instructions](#). Any edits to this document must be duplicated in that document.

1.2 What's In the Box



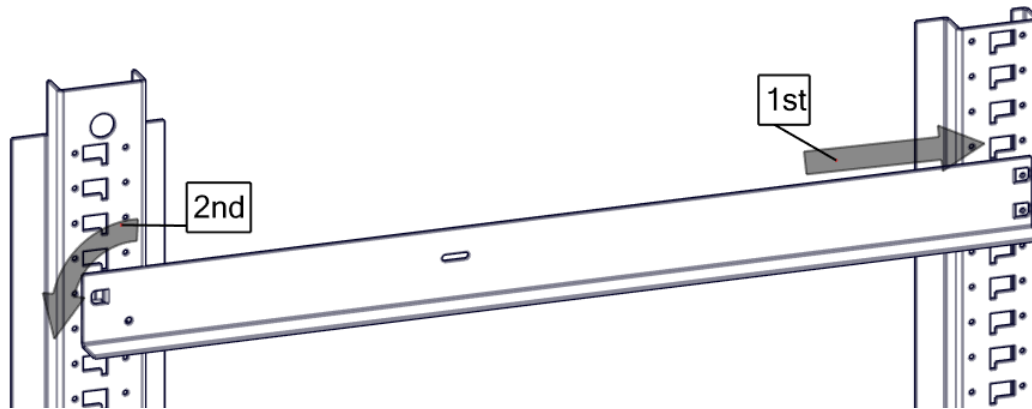
Item	Description	Qty.	
1	Adjustable Shelf	1	
2	Adjustable Shelf Bracket, Left	1	
3	Adjustable Shelf Bracket, Right	1	
4	Thread-Forming Screw	2	
5	Retainer Clip	2	

1.3 Tools Required

Safety gloves (BD500) must be worn for your personal protection	 BD500
Safety glasses (BD250) must be worn for your personal protection	 BD250
#2 Phillips screwdriver (60-060) used to install thread forming screws on the adjustable shelf bracket.	 60-060

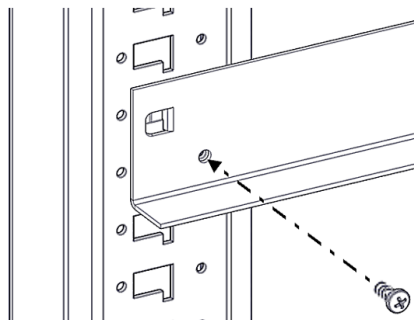
2. Installation Instructions

1. Install the left bracket first, by sliding the two lances into the left rear column and then rotating the front down to engage in the front post.
2. Level the left bracket. (It should not be installed at an angle, and will be difficult to install if not level).
3. Install the right bracket, on the right side of the cabinet in the same fashion as the left bracket, maintaining the same height location as the left bracket in the cabinet, as illustrated in the following figure:



Note: Observe orientation as illustrated in the figure.

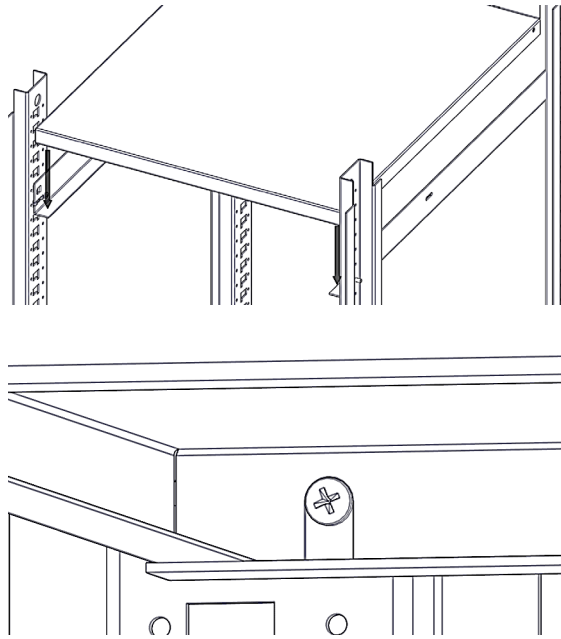
4. Verify that both brackets are level and are at the same height.
5. Install the right bracket on the right side of the cabinet in the same fashion as step 1, maintaining the same height location in the cabinet.
6. Verify that both brackets are level, and are positioned at the same height.
7. Using a #2 Phillips screwdriver, install the thread-forming screw in the hole just behind the lance.
8. Repeat on the other side.



9. Install the shelf by placing the shelf above the two brackets.
 - a. Push the shelf towards the back of the cabinet.
 - b. Set the shelf down on top of the brackets.

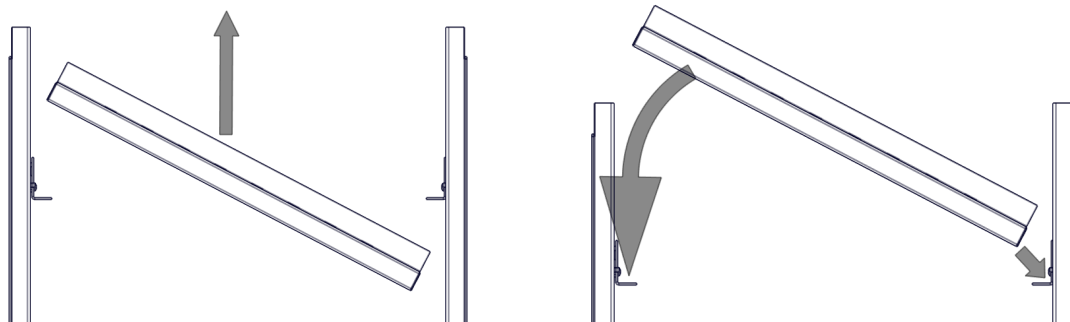
Note: The slot cutout on the front left and right side of the shelf should sit on top of the thread-forming screw, as illustrated in the following 2 figures:

Installation Instructions

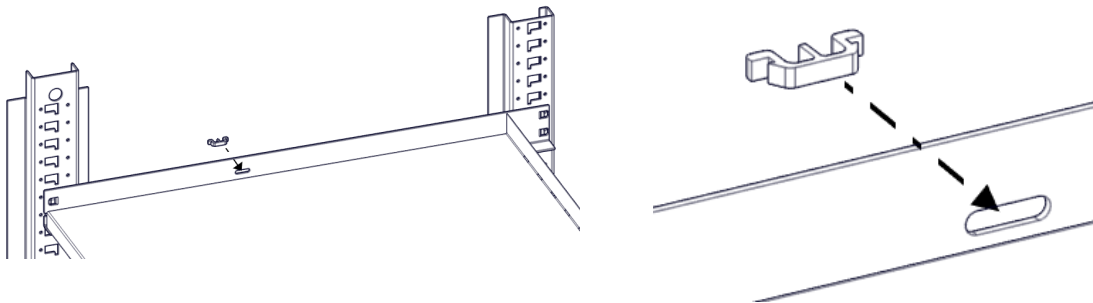


Note: Installation may be easier if you tilt the shelf on an angle.

10. Move the shelf above the brackets and then rotate it back to its original state.
11. Verify that the slot in the side of the shelf aligns with the thread-forming screw installed in step 2.



12. Install shelf retainer clips into the left and right channel. These will prevent the shelf from lifting up, once installed.



NOTES



Making Workspace Work.

106 Lowland St, Holliston, MA 01746

0981-0981-SH002A3-000-000

800-722-3020

sales@listaintl.com