

## Filler Panel Installation Instructions

### General Information:

The following provides step-by-step instructions for installing cabinet filler panels.

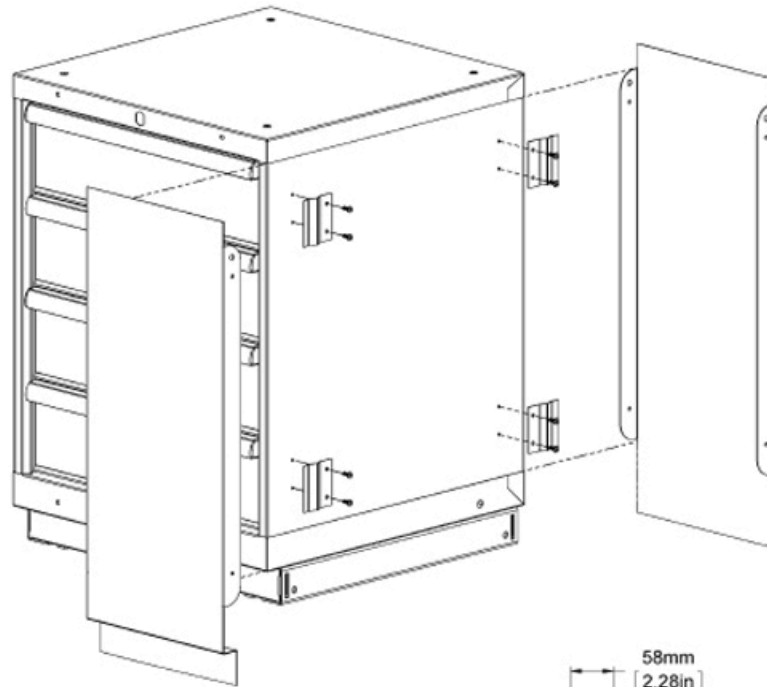
### Notes:

1. These instructions are applicable to all straight cabinet filler panels.
2. Filler panels can also be mounted to walls or other applicable structures.
3. Work surfaces have been removed in instructions for **clarity** only.

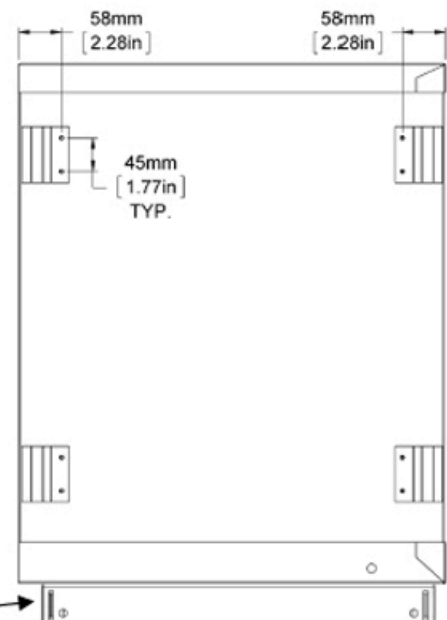
**Please review these instructions before beginning installation procedure.**

### Tools Required:

- #2 Phillips Head Screwdriver
- .149" (25) Drill Bit & Drill
- Center punch (optional)
- Safety glasses



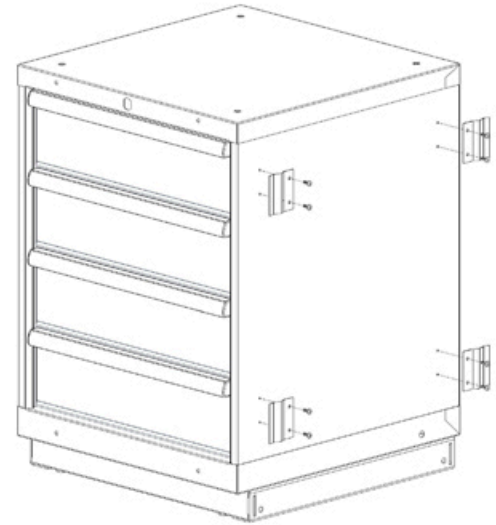
1. When installing the filler panel on cabinets mark and center punch (2) hole locations for each of the (4) mounting brackets per panel. Horizontal positioning of holes should be 58mm (2.28") from front or rear face of cabinet for flush mounting. *Flush mounting is not required and horizontal position should be adjusted to desired location.* Top to bottom hole positions on brackets are 45mm (1.77"). Vertical placement of mounting bracket approx.as shown. (See Figure 1)
2. Drill pilot holes using .149" (#25) drill bit. *Mounting brackets can be installed on a variety of surfaces, choose hardware and drill pilot holes that are appropriate for the parallel mounting surface.*



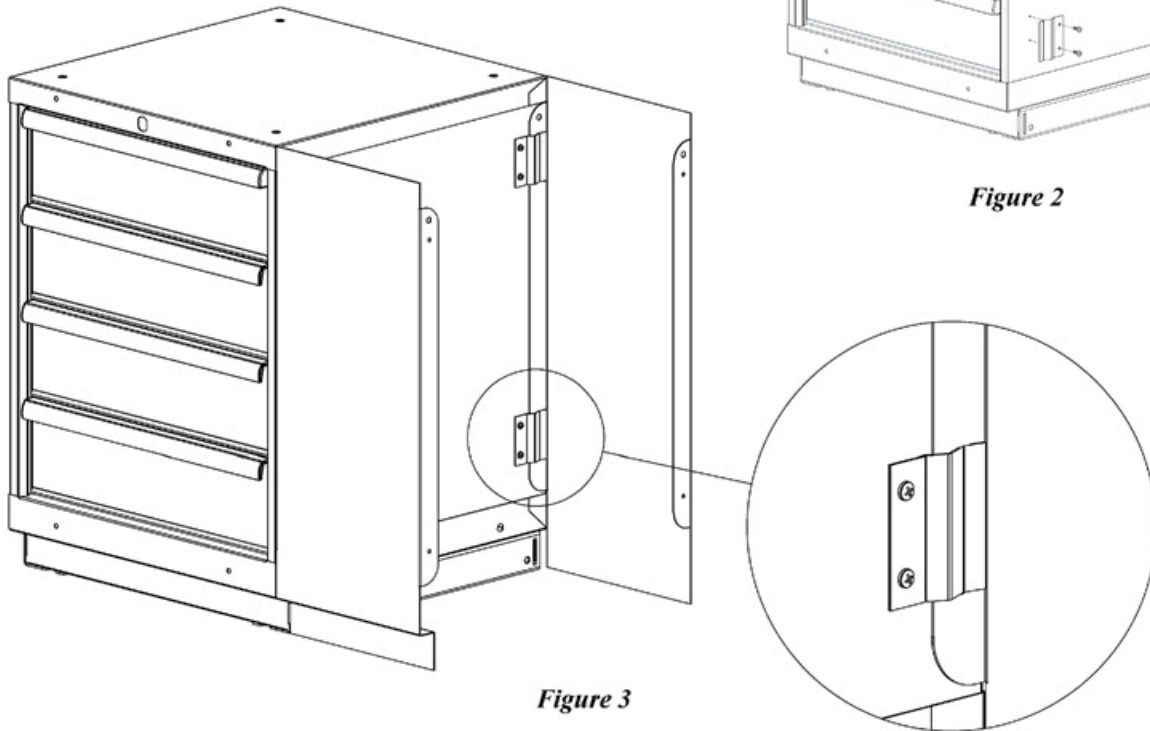
**Note:** Front filler panels for cabinets with bases are stepped to match the profile.

**Figure 1**

3. Using #10 x ½" Phillips Pan Head screw install the mounting brackets to cabinets. (See **Figure 2**) For narrow filler panels, install mounting brackets prior to final placement of cabinets.
4. Install filler panel(s) by pressing in place behind the mounting brackets previously installed. (See **Figure 3**)



**Figure 2**



**Figure 3**

Making Workspace Work™ is a trademark of Lista International Corporation.

Document Number: SA005A3 Rev 0

Print Date: September 2012

These instructions and other assembly instructions may be found on Lista International Corporation's web site, <http://www.listaintl.com>. For questions or Technical Support, please call 1-800-722-3020

This manual is proprietary information of Lista International Corporation. Unauthorized reproduction of any portion of this manual is prohibited without the written consent of Lista International Corporation. The material in this manual is for informational purposes only. It is subject to change without notice. Lista International Corporation assumes no responsibility for any typographical errors contained in this manual.

Lista International Corporation  
106 Lowland Street  
Holliston, MA 01746-2094  
Toll Free: (800) 722-3020  
Phone: (508) 429-1350  
E-mail: [sales@listaintl.com](mailto:sales@listaintl.com)  
Web: <http://www.listaintl.com/>

ISO 9001 Certified

© 2012 Lista International Corporation  
All rights reserved.